

FWS VERSION - ROLLER BEARINGS - 1750 RPM

S version

ITEM	PART No.	KIT	DESCRIPTION	Qty.	MODELS
65	3609.0058.00		SCREW M8X22	4	
66	0402.0170.00		FLANGE	1	
67	0601.0218.00		SHIM Ø62 0,05 mm	1	
	0601.0220.00		SHIM Ø62 0,10 mm	1	
	0601.0222.00		SHIM Ø62 0,19 mm	1	
	0601.0259.00		SHIM Ø62 0,25 mm	1	
68	0019.0007.00	D	OIL SEAL 25X52X7 mm	1	
69	1210.0388.00	D	O-RING	1	
70	0440.0012.00		ROLLER BEARING	1	
71	1602.0013.00		KEY 8X7X30 mm	1	
72	0001.0324.00		CRANKSHAFT Ø24 mm	1	4030 S
	0001.0325.00		CRANKSHAFT Ø24 mm	1	6020 S
	0001.0345.00		CRANKSHAFT Ø24 mm	1	3530 S
	0001.0346.00		CRANKSHAFT Ø24 mm	1	4525 S - 4530 S 5520 S - 5525 S

E version

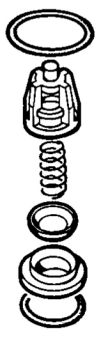
ITEM	PART No.	KIT	DESCRIPTION	Qty.	MODELS
77	3609.0058.00		SCREW M8X22	4	
78	3016.0017.00		FLANGE	1	
79	3607.0201.00		SCREW 1/2"-13	4	
80	0601.0210.00		SHIM Ø68 0,05 mm	1	
	0601.0212.00		SHIM Ø68 0,10 mm	1	
	0601.0214.00		SHIM Ø68 0,19 mm	1	
	0601.0216.00		SHIM Ø68 0,25 mm	1	
81	0019.0052.00	D	OIL SEAL 40X52X7 mm	1	
82	1210.0109.00	D	O-RING 1,78X 63,22 mm	1	
83	0440.0011.00		ROLLER BEARING 40X68X19	1	
84	0001.0355.00		CRANKSHAFT 1"1/8"	1	3530 E
	0001.0356.00		CRANKSHAFT 1"1/8"	1	4030 E
	0001.0357.00		CRANKSHAFT 1"1/8"	1	4530 E -5530 E

G version only FWS 4030

ITEM	PART No.	KIT	DESCRIPTION	Qty.	MODELS
44	3609.0058.00		SCREW M8X22	4	
45	3016.0022.00		FLANGE	1	
46	0601.0270.00		SPACER Ø18X9X4,8 mm	2	
47	3609.0058.00		SCREW M8X22	4	
48	0601.0210.00		SHIM Ø68 0,05 mm	1	
	0601.0212.00		SHIM Ø68 0,10 mm	1	
	0601.0214.00		SHIM Ø68 0,19 mm	1	
	0601.0216.00		SHIM Ø68 0,25 mm	1	
49	0019.0052.00	D	OIL SEAL 40X52X7 mm	1	
50	1210.0109.00	D	O-RING 1,78X 63,22 mm	1	
51	0440.0011.00		ROLLER BEARING 40X68X19	1	
86	0001.0380.00		CRANKSHAFT Ø25 mm	1	

COMPLETE VALVE KIT
5025.0011.00

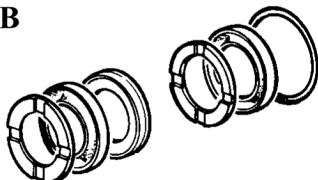
KIT A



5025.0011.00		
ITEM	PART No.	Qty.
4	1210.0046.00	6
5	3009.0087.00	6
6	3604.0017.00	6
7	1802.0177.00	6
8	1205.0025.00	6
9	1210.0048.00	6

PISTON SEAL KIT
Ø 18 mm 5019.0038.00 - Ø 20 mm 5019.0039.00

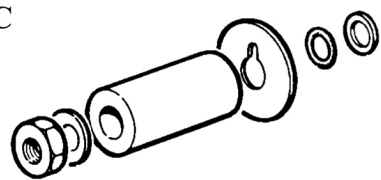
KIT B



5019.0038.00			5019.0039.00		
ITEM	PART No.	Qty.	ITEM	PART No.	Qty.
11	0009.0199.00	3	11	0009.0108.00	3
12	1241.0026.00	3	12	1241.0032.00	3
13	0009.0100.00	3	13	0009.0104.00	3
15	0009.0199.00	3	15	0009.0108.00	3
16	1241.0026.00	3	16	1241.0032.00	3
18	1210.0156.00	3	18	1210.0156.00	3

PISTON KIT
Ø 18 mm 2409.0073.00 - Ø 20 mm 2409.0074.00

KIT C



2409.0073.00			2409.0074.00		
ITEM	PART No.	Qty.	ITEM	PART No.	Qty.
20	0600.0054.00	3	20	0600.0054.00	3
21	2811.0082.00	3	21	2811.0082.00	3
22	0202.0022.00	3	22	0202.0024.00	3
23	2812.0042.00	3	23	2812.0042.00	3
24	1210.0039.00	3	24	1210.0039.00	3
25	0009.0170.00	3	25	0009.0170.00	3

5019.0044.00			5019.0045.00		
ITEM	PART No.	Qty.	ITEM	PART No.	Qty.
4	1210.0046.00	6	4	1210.0046.00	6
9	1210.0048.00	6	9	1210.0048.00	6
18	1210.0156.00	3	18	1210.0156.00	3
19	0019.0066.00	3	19	0019.0066.00	3
24	1210.0039.00	3	24	1210.0039.00	3
25	0009.0170.00	3	25	0009.0170.00	3
34	1210.0333.00	1	34	1210.0333.00	1
35	1210.0216.00	1	35	1210.0216.00	1
39	1210.0441.00	1	39	1210.0441.00	1
68	0019.0007.00	1	74	1210.0388.00	1
69	1210.0388.00	1	81	0019.0052.00	1
74	1210.0388.00	1	82	1210.0109.00	1

SEAL KIT
SOLID SHAFT 5019.0044.00
HOLLOW SHAFT 5019.0045.00

KIT D

